

## OE9 180° WIDE ANGLE ECE R65 Warning Lamp (Surface Mount)



### Features

- True 180° wide-angle LED warning module.
- Multi-Voltage Input 12~24VDC.
- Built-in 16 selectable flash patterns.
- LEDs rated to 100,000 hours of operation.
- Non-volatile memory recalls last flash pattern used at power up.
- Multiple units are synchronizable and can flash simultaneously or alternately.
- Reverse polarity protection.
- Weatherproof and vibration resistant design for internal or external use.
- Aluminum base for heat dissipation.

### Specification

**Meets:** ECE R65 (XA1, XB1), ECE R10, IP68

**Bulb:** High-power LED x 9pcs

**Warning Patterns:** 16 Flash Patterns

**Operating Voltage:** 12~24VDC

**Avg. Current:** 0.58A @12VDC / 0.28A @24VDC  
(varies with flash pattern)

**Avg. Power:** 7 Watts (varies with flash pattern)

**Max. Current:** 1.16A @12VDC / 0.58A @24VDC

**Max. Power:** 14 Watts

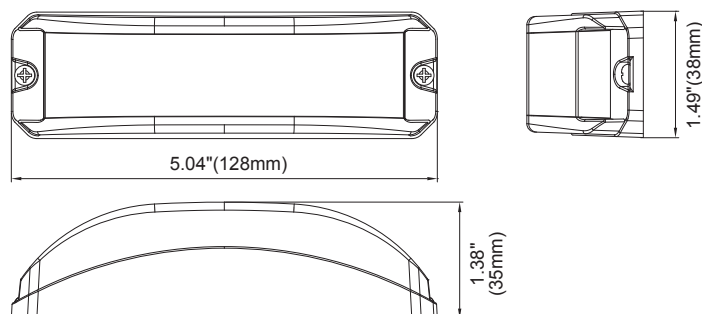
**Wires:** Red-Vcc : 20cm (20AWG)  
Black-GND : 20cm (20AWG)  
Yellow-Flash Patterns & Sync : 20cm (20AWG)  
White-Alternating Flash : 20cm (20AWG)

**Fuse Recommended:** 2A

**Multi-Unit Synchronization:** Over 15 units

**Available in:** BLUE, AMBER

### Dimensions



### Part No.

- OE9-A (R65 Amber)
- OE9-B (R65 Blue)
- OE9-R (R10 Red)
- OE9-W (R10 White)

### Flash Patterns

Flash Patterns			
1	Single (2Hz)	9	Double
2	Double (R65)	10	Triple
3	Triple (2Hz)	11	Quad
4	Quad (2Hz)	12	Quint
5	Random	13	8 Flash
6	Steady	14	Single-Quad
7	Single	15	Single H/L
8	Mega	16	Single-Triple-Quint