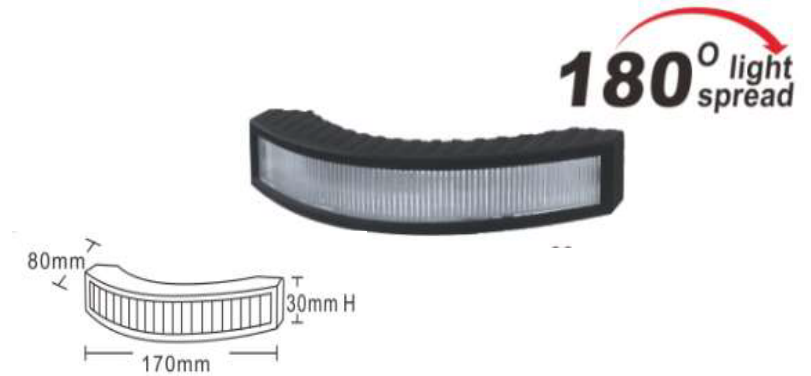


## Britalitez Corner Beacon

### Specifications:

Voltage: DC 12-24V  
 LED qty: 12  
 Flash patterns: 26  
 Synchronise: Up to 15 units  
 Temperature: -30° C to +60°C  
 Approval: ECE R10, ECE R65 (Amber & Blue)  
 Size (mm): L:170 x W:80 x H:30



### Wire:

RED..... +VDC  
 BLACK.....To Chassis Ground  
 YELLOW.... Pattern Selection  
 .....Apply Yellow to Black  
 .....Less than 1 second for next pattern  
 .....1 to 3 second for previous pattern  
 .....More than 5 seconds for turn off. When power is reapplied it will resume the previous pattern.  
 WHITE..... Synchronization. Connect white wire of all heads together for synchronization.

### Flash Patterns

#	Flash Patterns	
1	Single	14 Triple (Alternate)
2	Single (Slow)	15 Quad (Alternate)
3	Double	16 Octa (Fast, Alternate)
4	Double (Slow)	17 Single (Split)
5	Triple	18 Double (Split)
6	Quad (Fast)	19 Quad (Split)
7	Quad (Slow)	20 Octa (Split)
8	Octa (Fast)	21 Single (Split Accelerate)
9	Octa (Slow)	22 Double (Split Accelerate)
10	Twelve Flash	23 SOS
11	Sixteen Flash	24 Cycle (1,8,3,9,4,18)
12	Single (Alternate)	25 Cycle (2,7,9,11,19,21)
13	Double (Alternate)	26 Steady

### Mounting Options:



Surface Mounting



Bracket Mounting



### WARNING!

Do not look directly into LEDs while in operation; this may cause momentary blindness and/or eye damage.