

COV04 COVERT

ECE R10 Hideaway Warning Lamp (Recessed / Screw Fit)



Features

- ECE R10 EMC Compliance.
- Multi-units synchronization in simultaneous or alternating flash.
- Water and vibration resistant design for external use.
- Supplied with control box, rubber grommet and fixing kit.
- Long life LEDs rated to 100,000 hours of operation.
- Non-volatile memory recalls last flash pattern used at power up.
- Reverse polarity protection.

Specification

Approvals: ECE R10; IP67 (when fitted)

Bulb: High-power LED x 4 pcs (per light unit)

Warning Patterns: 26 Flash Patterns

Operating Voltage: 9-30 VDC

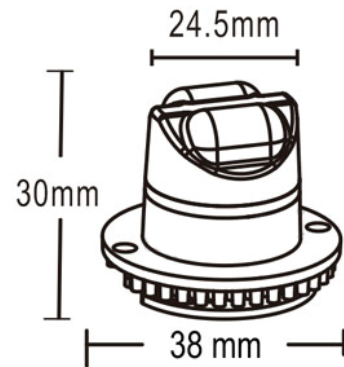
Max. Power: 10 Watts

Wires: Red-Vcc
Black-GND
Yellow-Flash Patterns
White-Sync

Fuse Recommended: 3A

Multi-Unit Synchronization: Up to 15 units

Dimensions



Part No.

- COV04-A2(ECE R10, Amber)
- COV04-B2(ECE R10, Blue)
- COV04-R2(ECE R10, Red)
- COV04-W2(ECE R10, White)

Flash Patterns

#	Flash Patterns		
1	Single	14	Triple (Alternate)
2	Single (Slow)	15	Quad (Alternate)
3	Double	16	Octa (Fast, Alternate)
4	Double (Slow)	17	Single (Split)
5	Triple	18	Double (Split)
6	Quad (Fast)	19	Quad (Split)
7	Quad (Slow)	20	Octa (Split)
8	Octa (Fast)	21	Single (Split Accelerate)
9	Octa (Slow)	22	Double (Split Accelerate)
10	Twelve Flash	23	SOS
11	Sixteen Flash	24	Cycle (1,8,3,9,4,18)
12	Single (Alternate)	25	Cycle (2,7,9,11,19,21)
13	Double (Alternate)	26	Steady