

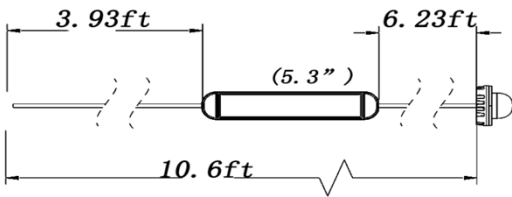
## HIDEAWAY LED LIGHTS INSTRUCTION

### TECHNICAL SPECIFICATIONS

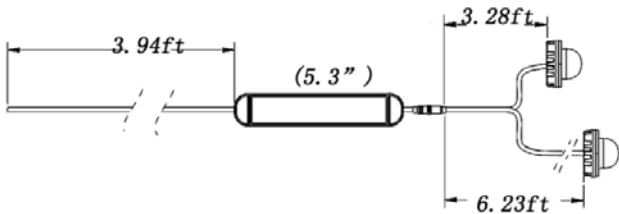
VOLTAGE:	9-30V:
FLASH PATTERNS:	26
MAX NUMBER OF SYNC'D HEADS:	15 units
OPERATING TEMPERATURE:	-30°C to +60°C
APPROVAL:	ECE R10;
COLOURS:	Amber; Blue; White; Red;

### CABLE DIMENSION

#### SINGLE UNIT



#### DOUBLE UNIT



### ELECTRICAL CONNECTIONS

RED: +VDC (Fuse @ 3A)

BLACK: - GROUND

YELLOW: FLASH PATTERN SELECTION

.....Apply Yellow to Black

.....Less than 1 second for next pattern

.....1 to 3 second for previous pattern

.....More than 5 seconds for turn off, when power is reapplied it will resume the previous pattern

WHITE: Synchronization

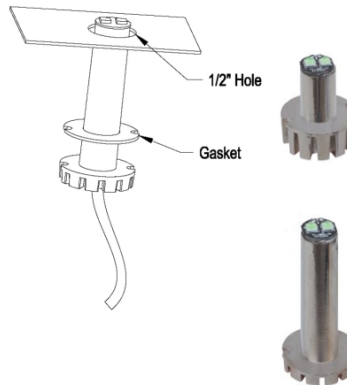
.....Connect White wires of all heads together for synchronization

### Flash Patterns

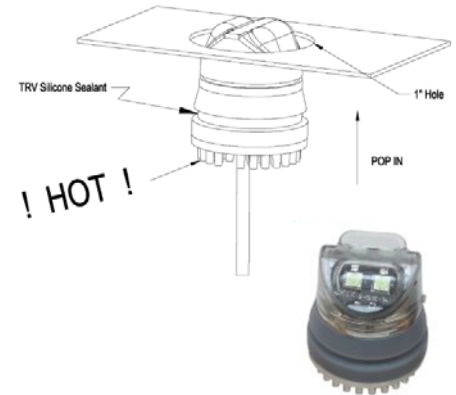
1	Single	14	Triple (Alternate)
2	Single (Slow)	15	Quad (Alternate)
3	Double	16	Octa (Fast, Alternate)
4	Double (Slow)	17	Single (Split)
5	Triple	18	Double (Split)
6	Quad (Fast)	19	Quad (Split)
7	Quad (Slow)	20	Octa (Split)
8	Octa (Fast)	21	Single (Split Accelerate)
9	Octa (Slow)	22	Double (Split Accelerate)
10	Twelve Flash	23	SOS
11	Sixteen Flash	24	Cycle (1,8,3,9,4,18)
12	Single (Alternate)	25	Cycle (2,7,9,11,19,21)
13	Double (Alternate)	26	Steady

### HIDEAWAY LIGHTS INSTALLATION

#### GASKET STICKER



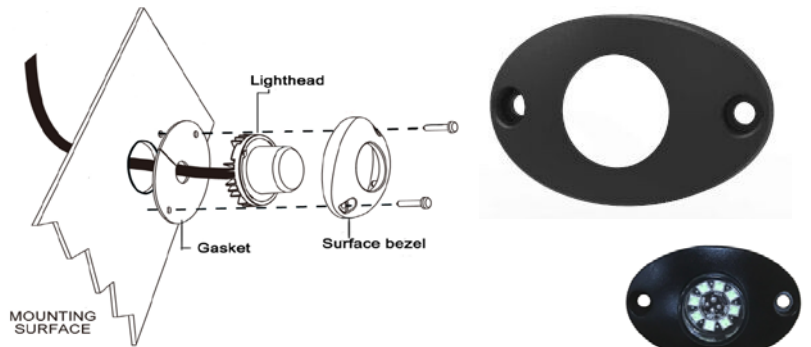
#### INSTALL DIRECTLY



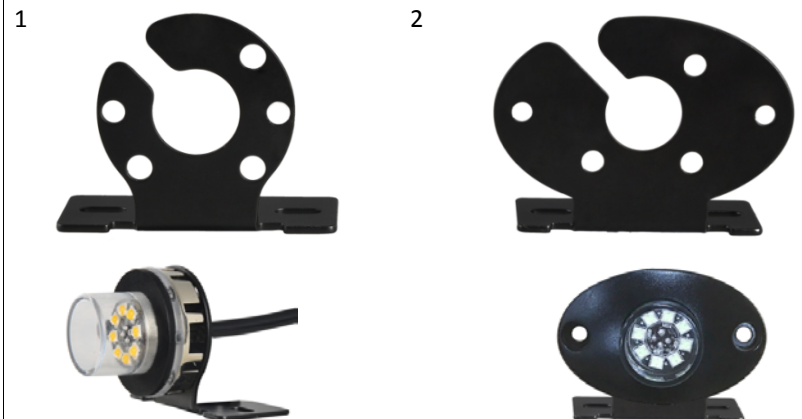
#### SCREW INSTALLATION



#### SURFACE MOUNTING OPTION



#### BRACKET OPTION



### WARNING!

Do not look directly into LEDs while in operation; this may cause momentary blindness and/or eye damage.