

## SQ4-A SQUARE

### ECE R65 Juluen/Axixtech 4-LED Warning Lamp (Bracket Mount)



#### Features

- ECE R65 certified high power output.
- ECE R10 EMC Compliance.
- High-Intensity LED x 4.
- Multi-Voltage Input 11~30VDC.
- Built-in 5 Selectable Flash Patterns.
- Long Life LEDs rated to 100,000 hours of operation.
- Non-volatile memory recalling last flash pattern used at power up.
- Multiple units synchronization in simultaneous or alternating flash.
- Reverse polarity protection.
- Weatherproof and vibration resistant design for external or internal use.
- Solid Aluminum base for efficient heat dissipation.

#### Specification

**Meets:** ECE R65 (XA1), ECE R10

**Bulb:** 1W LED x 4pcs

**Warning Patterns:** 5 Flash Patterns

**Operating Voltage:** 12~24VDC

**Avg. Current:** 0.32A @12VDC / 0.16A @24VDC  
(varies with flash pattern)

**Avg. Power:** 3.85 Watts (varies with flash pattern)

**Max. Current:** 0.64A @12VDC / 0.32A @24VDC

**Max. Power:** 7.7 Watts

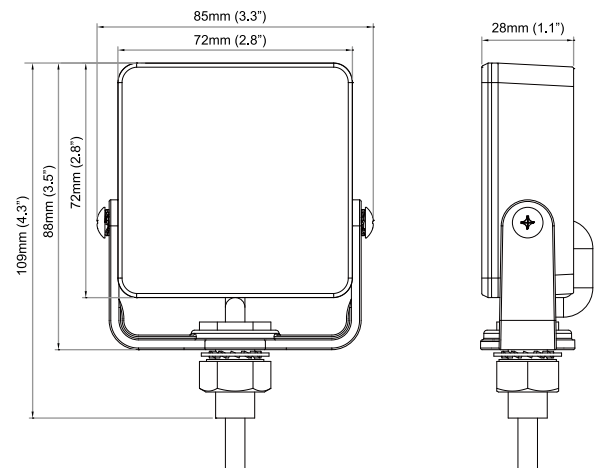
**Cable Length:** 120cm (4 ft)

**Wire Functions:** Red - Vcc  
Black - GND  
Yellow - Flash Patterns & Sync & Phase  
White - Steady Burn

**Fuse Recommend:** 1A

**Available in:** AMBER

#### Dimensions



#### Part No.

- SQ4-A (ECE R65, Amber)

#### Flash Patterns

Flash Patterns			
1	Single (2Hz)	4	Quad (2Hz)
2	Double (R65)	5	Steady 4
3	Triple (2Hz)		