

0279 UNDERCOVER

ECE R65 3-LED All-In-One/Self-Contained Warning Lighthouse (Surface Recessed Mount)



Features

- Small profile with powerful ECE R65 certified output.
- ECE R10 EMC Compliance.
- All-in-one self-contained for easy and versatile installation without external flasher.
- Versatile Side-mirror Mount or Surface Mount.
- Long life LEDs technology rated to 100,000 hours of operation.
- Non-volatile memory recalls last flash pattern used at power up.
- Multi-units synchronization in simultaneous or alternating flash.
- Reverse polarity protection.
- Fully Weatherproof and vibration resistant design for external or internal use.
- Aluminium base for efficient heat dissipation and maximum durability.

Specification

Meets: ECE R65 (XA1, XB1, XR1); ECE R10
SAE J595 & J845 Class 1; IPX7

LED: High-power LED x 3pcs

Warning Patterns: 16 Flash Patterns

Operating Voltage: 12~24VDC

Avg. Current: 0.39A @12VDC / 0.19A @24VDC
(varies with flash pattern)

Avg. Power: 4.62 Watts (varies with flash pattern)

Max. Current: 0.77A @12VDC / 0.39A @24VDC

Max. Power: 9.24 Watts

Wires: Red-Vcc : 20cm (24AWG)

Black-GND : 20cm (24AWG)

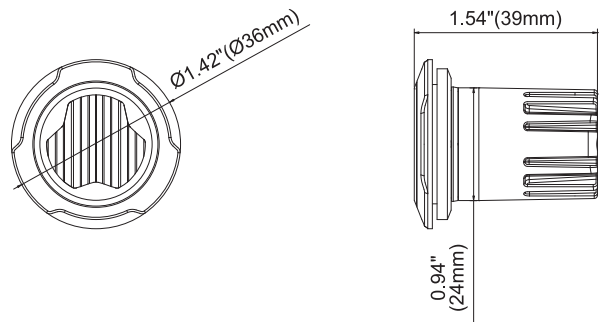
Yellow-Flash Patterns & Sync : 20cm (24AWG)

Fuse Recommended: 1A

Multi-Unit Synchronization: Over 15 units

Available in: RED, BLUE, AMBER, WHITE

Dimensions



Part No.

- 0279-A (ECE R65, Amber)
- 0279-B (ECE R65, Blue)
- 0279-R (ECE R65, Red)
- 0279-W (ECE R10, White)

Flash Patterns

| # | Flash Patterns | |
|---|----------------|------------------------|
| 1 | Double [2Hz]* | 9 Double [SAE] |
| 2 | Single [2Hz] | 10 Triple [SAE] |
| 3 | Triple [2Hz] | 11 Quad [SAE] |
| 4 | Quad [2Hz] | 12 Quint [SAE] |
| 5 | Random | 13 Ultra [SAE] |
| 6 | Steady | 14 Single-Quad |
| 7 | Single [SAE] | 15 Single H/L |
| 8 | Mega | 16 Single-Triple-Quint |

*Actual R65 Approved Flash Pattern.